



For Earth, For Life

INDUSTRIAL GASOLINE ENGINE

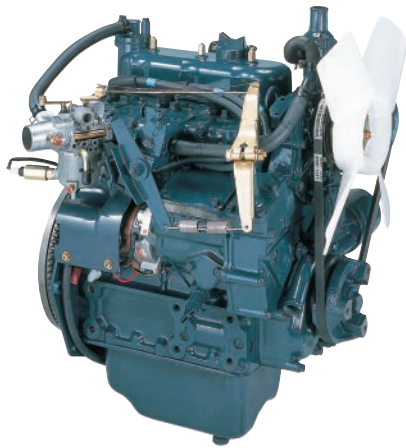
KUBOTA WG SERIES (3-cylinder)

WG752-G-E3



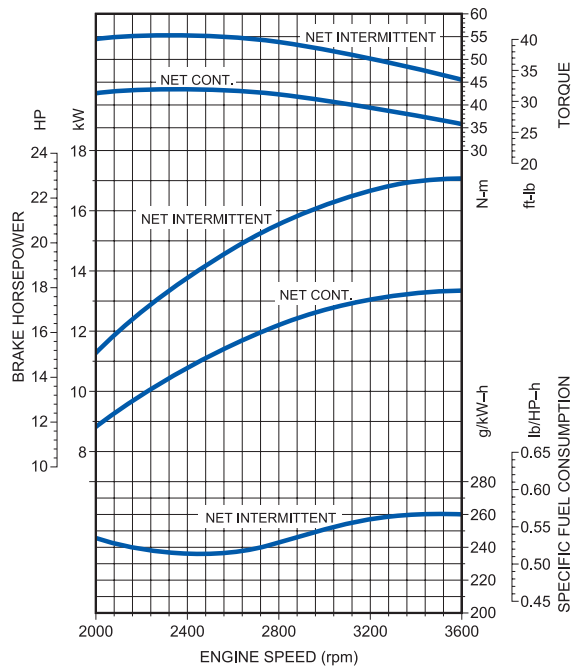
RATED POWER

18.3kW@3600rpm



Photographs may show non-standard equipment.

PERFORMANCE CURVE



FEATURES and BENEFITS

Emission

- Kubota’s WG752-G/GL-E3 engine has been designed to comply with two of the strictest emission regulations: EPA Phase3 and CARB Tier3.

Fuel Flexibility

- Installation compatibility between SI and CI engines is a good solution for customers who need fuel flexibility for their products. The Kubota WG Series has a gasoline version and a dual fuel (gasoline and LPG) version. Also available is a DG Series(*) natural gas version.

(*)The DG Series is compliant with the EPA Phase3 emission regulation only.

Durability and Reliability

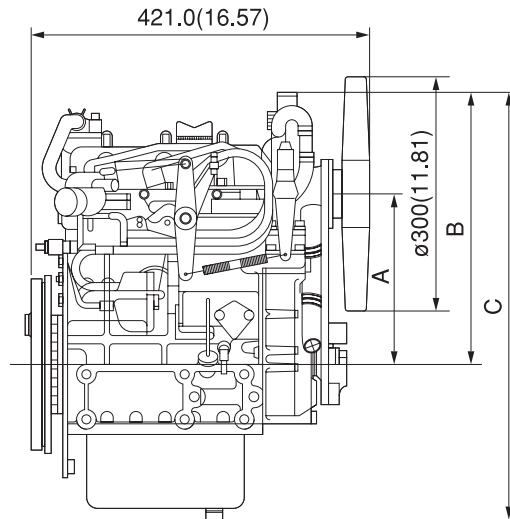
- Kubota’s WG Series small SI engines are designed after the Kubota Super Mini Series diesel (CI) engines, which are known worldwide as reliable industrial engines. The new WG Series engines provide an easy transition from the previous Tier models by leaving the same footprint while still offering excellent performance.

GENERAL SPECIFICATION

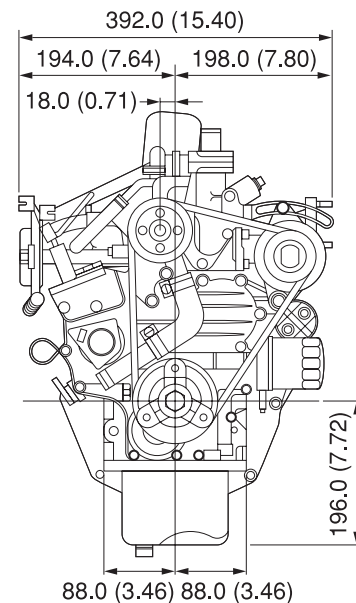
Model		WG752-G-E3
Emission Regulation		EPA Phase3, CARB Tier3
Type		Vertical, Liquid-Cooled 4-cycle Gasoline engine
Number of Cylinders		3
Bore	mm (in)	68 (2.68)
Stroke	mm (in)	68 (2.68)
Displacement	L (cu.in)	0.740 (45.2)
Intake System		Naturally Aspirated
Maximum Speed	rpm	3600
Output: Gross Intermittent	kW	18.3
	hp	24.5
	ps	24.9
Lubricating oil capacity	L (gal)	3.25 (0.86)
Starter Capacity	V-kW	12-0.7
Alternator Capacity	V-A	12-150
Direction of Rotation		Counterclockwise (viewed from the flywheel side)
Length	mm (in)	421.0 (16.57)
Width	mm (in)	392.0 (15.44)
Height (1)	mm (in)	540.0 (21.26)
Height (2)	mm (in)	196.0 (7.72)
Dry Weight	kg (lb)	61.7 (136.0)

*Specifications are subject to change without notice.
 *Dry weight is according to Kubota's standard specification.
 When specification varies, the weight will vary accordingly.

DIMENSIONS



	A	B	C
High Fan Position	215(8.46)	344(13.54)	540(21.26)
Low Fan Position	175(6.89)	305(12.01)	501(19.72)



Shown above: with Kubota Standard flywheel and rear-end-plate.
 Option kit for Clutch No.6 1/2" Flywheel and
 SAE No.5 Flywheel Housing is also available.



KUBOTA ENGINE AMERICA

505 Schelter Road Lincolnshire, IL 60069
 Phone: 847-955-2500 Fax: 847-955-2699
www.kubotaengine.com